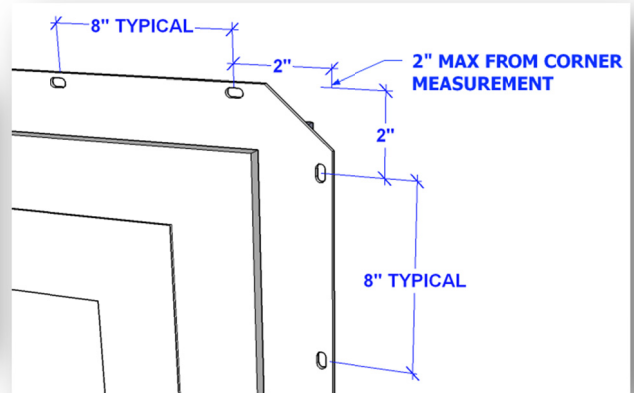
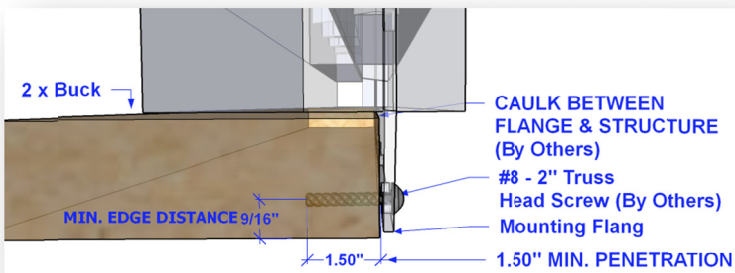
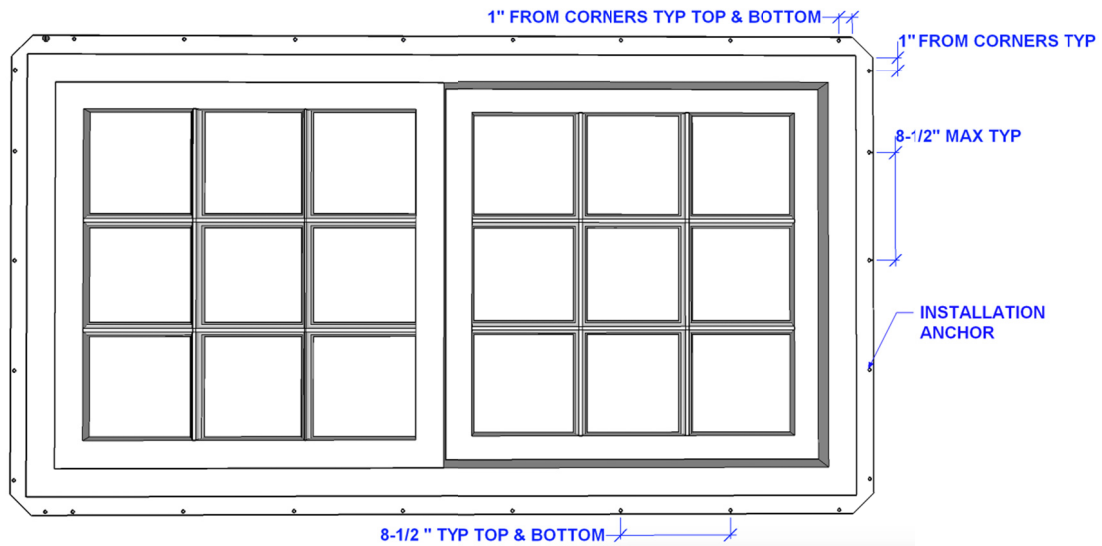
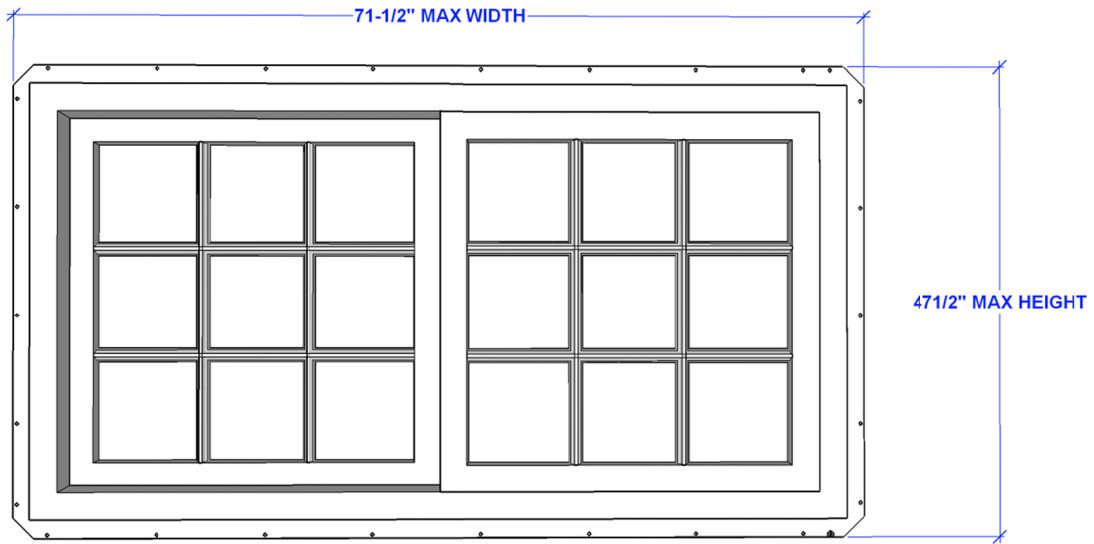


INSTALLATION METHOD PVC (VINYL) SS46 SINGLE SLIDER WINDOW ELEVATION & ANCHOR LAYOUT



SCALE: NTS
DWN BY: AMM
CHK BY: KEA
DATE: 10/13/15

TITLE:
INSTALLATION METHOD
PVC (VINYL) SS46 SINGLE SLIDER WINDOW
ELEVATION & ANCHOR LAYOUT

PREPARED BY:
POCAHONTAS ALUMINUM COMPANY, INC.
2001 INDUSTRIAL DRIVE
POCAHONTAS, AR 72455
PH: 870-892-3689 FAX: 870-892-9858

REVISIONS			
NO.	DESCRIPTION	BY	DATE

COPYING OR
DUPLICATION IS
PROHIBITED WITHOUT
WRITTEN PERMISSION
FROM POCAHONTAS
ALUMINUM
COMPANY, INC.

